

Desktop Enclosure

The **Ci 3520** accommodates two 3.5" drives including today's fastest tape and hottest hard drives from 1" to 1.6". Ball bearing fans provide airflow over the hottest points of the drive. An auto-switching 65 watt power supply furnishes this enclosure with more than enough power.



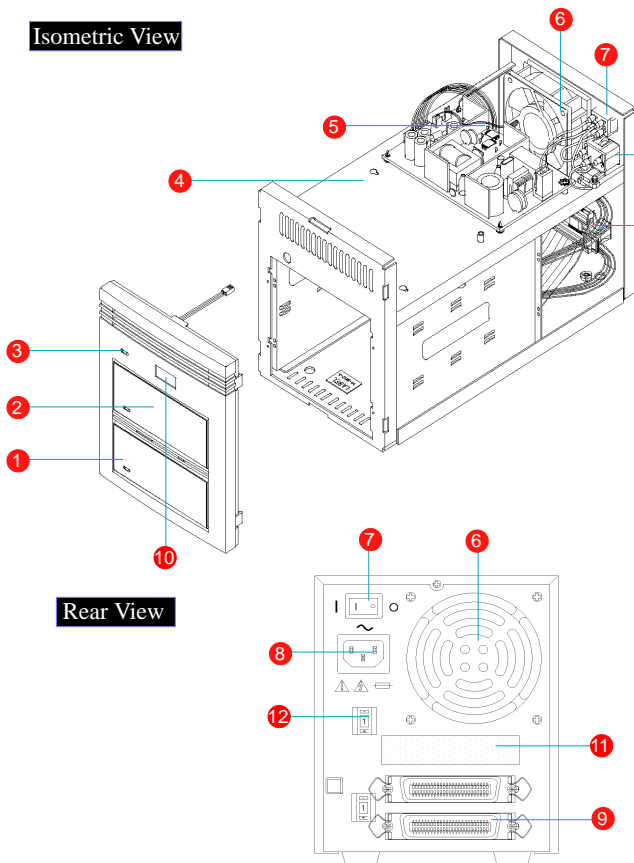
Ci 3520



Features:

Model	Ci 3520
Device	2 X 3 1/2" Device , 1" or 1.6"
Power Supply	65w
AC input	115 / 230 VAC
Internal Cable	68 pin x 2 (LVDD)
External Data Port	68 pin (Female) HD68 x 2 or 50 pin Cen (Female) x 2
SCSI ID	2 x 16 position
Cooling Fan	80mm x 80mm Ball Bearing
Available Color	Platinum, Black (Option)
Dimension	7.0"(H) x 5.5"(W) x12.0"(D)

Specification & Options:



Ref	Component	Ref	Component
1	"Drive Activity" LED	2	Plastic HDD Face Plate
3	"Power ON" LED	4	Chassis
5	DC Power Supply	6	60mm, 18 CFM DC Fan
7	Power ON/OFF Switch	8	AC inlet
9	SCSI Connector	10	Logo Indent 25.0mm x 11.0mm
11	SCSI Port Plug	12	ID Switch

Optional Accessories

External Data Cables		External Terminators	
P/N	Description	P/N	Description
03-2034-A1D	3" SCSI I C50-DB25	03-5032	SCSI I Single-ended C50
03-2049-01A	3" SCSI I C50-C50	03-5017	SCSI II Single-ended HD50
03-2043-01A	3" SCSI II HD50-HD50	03-5034	SCSI III Single-ended HD68
03-2043-02A	6" SCSI II HD50-HD50	03-5030	SCSI III LVD HD 68
03-2038-01A	3" SCSI II to SCSI I HD50-C50		
03-2038-02A	6" SCSI II to SCSI I HD50-C50		
03-0113-01A	3" SCSI III HD68-HD68		
03-0113-02A	6" SCSI III HD68-HD68		
03-0119-01A	3" SCSI III to SCSI II HD68-HD50		
03-0119-02A	6" SCSI III to SCSI II HD68-HD50		
03-0118-01A	3" SCSI III to SCSI II HD68-C50		
03-0118-02A	6" SCSI III to SCSI II HD68-C50		
03-0129-01A	3" SCSI III to SCSI II VHDCI 68-HD50		

SCSI ID Cables	
P/N	Description
05-0013	16 Position SCSI ID Switch/Cable
05-0014	8 Position SCSI ID Switch/Cable

Shipping Specification	
Box Dimensions (HxWxD)	13.2" x 16.1" x 17.2" 335mm x 408mm x 441mm
Cubic feet	2.1
Cross Weight	19.2 lbs 8.7 Kg



- Flame retardant plastic ABS 94 V-0
- Specifications and Features are subject to change without notice
- Pictures provided here are for illustration only, subject to change with -out notice
- Product names mentioned herein may be trademarks and/or registered trademarks of that specific company

Worldwide Headquarters
 United States
 4320 East Miraloma Ave.
 Anaheim, CA 92807
 United States
 Tel: 714-646-0111
 Fax: 714-646-0266
 Toll Free: 1-800-576-5487

European Headquarters
 Central & Southern Europe
 Horsterweg 24
 6199 AC Maastricht Airport
 THE NETHERLANDS
 Tel : 00 31 (0)43 358 5520
 Fax:00 31 (0)43 358 5530
 Inside France
 Tel: 0800-906019
 Fax: 0800-906167